

brand	QUELLE
-------	---------------

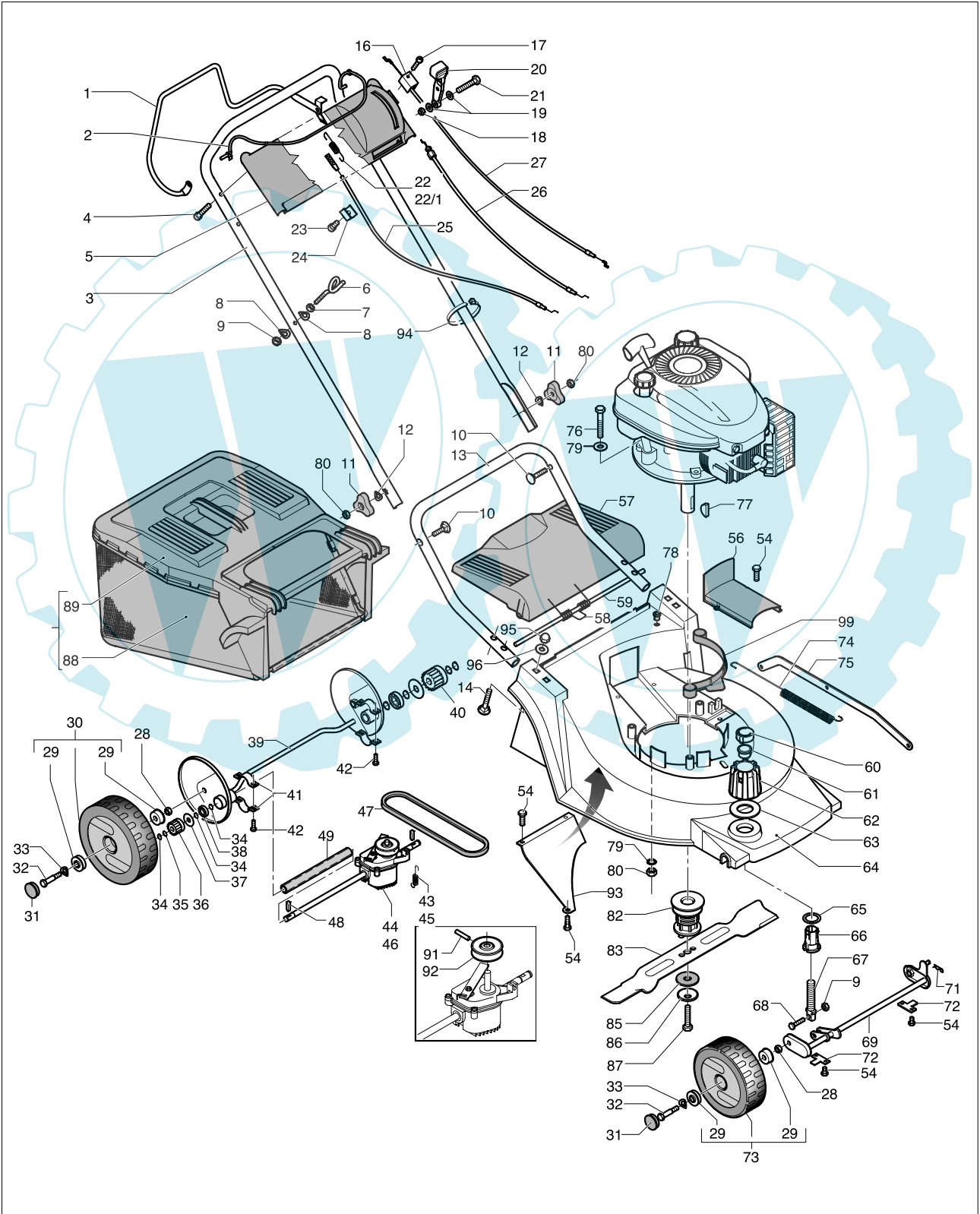
date	JAN/03	SHEET 1/3
------	--------	-----------

Model

UNIROPA

Product number

953878358



brand	QUELLE
-------	---------------

date	JAN/03	SHEET 2/3
------	--------	-----------

Model

UNIROPA

Product number

953878358

Pos.	PN ELX	PN MEP	DESCRIPTION	Q.ty	NOTE
1	531205616	10135883	clutch lever	1	
2	531205618	10135893	lever	1	
3	531205589	10135663	upper handle	1	
4	531208844	20734900	screw	4	TCTC 4,3x16 FIX ZB
5	531205608	10135772	dash-board	1	
6	531205169	10121470	cable hook	1	
7	531207165	10501200	nut	1	M6 H6 UNI 5587-6S-ZB
8	531204961	10115900	washer	2	6,5E
9	531208491	20281800	nut	2	M6H8UNI7473ZB
10	531207089	10402401	screw	2	TTSQ M8x50 TF ZB
11	531204923	10114303	knob	2	
12	531207090	10402402	washer	2	8,5
13	531205496	10135113	handle lowere	1	
14	531207842	10830800	screw	4	TTSQ M6x40 1/2F ZV
16	531208043	20121983	bearing	1	
17	531208217	20135730	screw	1	TCTC 2F D 5x25
18	531208492	20282100	nut	1	M5H7UNI7473ZB
19	531206666	10284700	washer	2	5/15/1,5 ZB
20	531205139	10121263	lever	1	
21	531207836	10830000	screw	1	TE M5x25 UNI 5739-8,8-ZB
22	531205596	10135710	spring	1	
23	531207937	10878000	screw	2	TCTC 3,9x16
24	531207923	10876103	cable bearing	1	
25	531206000	10146340	clutch cable	1	
27	531205192	10121620	cable	1	TECNA 1420/141,5
28	531207978	20101700	nut	4	M10 H8 UNI 5588-6S ZB
29	531205214	10121900	ball-bearing	8	
30	531211908	09135292	posterior wheel	2	D210/26 TAC
31	531204936	10114804	plug	4	
32	531205042	10120090	screw	4	
33	531206644	10275100	washer	4	UNI 8840-B12(13/24/0,8)
34	531208772	20655800	seeger	6	D.12E DIN 471
35	531208859	20761300	washer	2	D.12,4x17x0,3
36	531205045	10120160	pinion	1	DX
37	531207847	10831200	washer	2	D.12/34/0,7 ZB
38	531208778	20657600	ball-bearing	2	D.12/28/8 6001/2RS
39	531205538	10135283	rear axle	1	
40	531205046	10120170	pinion	1	SX
41	531206652	10281200	bearing	4	
42	531207385	10602800	screw	4	TEFR 5x12
43	531206289	10160070	spring	1	
44	531204758	09767800	reducer complet	1	
47	531206303	10160220	belt	1	Z.29-L 730
48	531205108	10121160	key	2	"S" 5x5(-0,05) x19,2 DIAG
49	531207697	10766503	spacer tube	1	
54	531207856	10831800	screw	9	TEFR 5x10



Service

ELECTROLUX OUTDOOR PRODUCTS

brand	QUELLE
-------	--------

date	JAN/03	SHEET 3/3
------	--------	-----------

Model

UNIROPA

Product number

953878358

Pos.	PN ELX	PN MEP	DESCRIPTION	Q.ty	NOTE
56	531206290	10160083	belt housing	1	
57	531205486	10135072	deflector	1	
58	531206180	10155190	spring	1	
59	531205493	10135080	tie rod	1	
60	531205720	10140113	plug	1	
61	531205724	10140137	bush	1	
62	531205717	10140103	knob	1	
63	531205738	10140270	washer	1	D.38,5x73x1
64	531206278	10160012	deck	1	
65	531205739	10140280	washer	1	D.38,5x50x1
66	531205726	10140147	spacer	1	
67	531205723	10140127	screw	1	
68	531208425	20228705	screw	1	TE M6x35 UNI 5737-8,8-ZB
69	531206283	10160020	front axle	1	
70	531208216	20135720	screw	3	TCTC 2F D.5x16 AC 1,8 x 33
71	531206653	10281400	cotter pin	2	D170/26 TAC
72	531205536	10135270	support	2	
73	531211612	9121572	front wheel	2	
74	531206287	10160040	spring	1	
75	531206285	10160033	rod	1	
76	531206681	10291000	screw	3	TE M8x60 UNI 5737-8,8-ZB 4x6,5 UNI6606 WODRUF
77	531204907	10100900	key	1	
78	531205153	10121353	plug	1	
79	531207981	20106200	washer	6	D.8E DIN 6798
80	531207982	20106300	nut	5	M8 H8 UNI 5587-6S ZB
82	531207848	10831300	bearing blade	1	
83	531207796	10825100	blade	1	
85	531207243	10531700	washer	1	17,2x50x1,5+0,1
86	531207237	10530900	washer	1	11x50x2,5
87	531206649	10280901	screw	1	D.3/8"UNFX65 (8.8)
88	531208259	20140373	sac	1	
89	531205763	10140393	sack frame upper	1	
	531211686	20140393	frame cover	1	
91	531207703	10768400	resilient pin	1	
92	531208899	20768203	gear pulley	1	
93	531205469	10135050	deflector	1	
94	531205581	10135600	clamp	1	160X4,5
95	531206305	10160240	nut	4	M6 - DIM986-ZB-C.N
96	531206306	10160250	washer	4	D.6/14/1,5 ZB
99	531206308	10160273	cover	1	